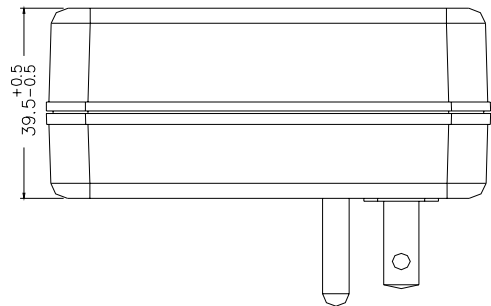
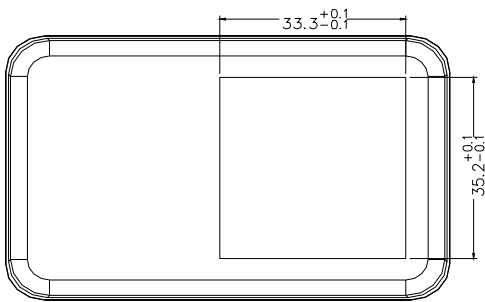


ADP10AC-2A-H

Single Output Power Supply

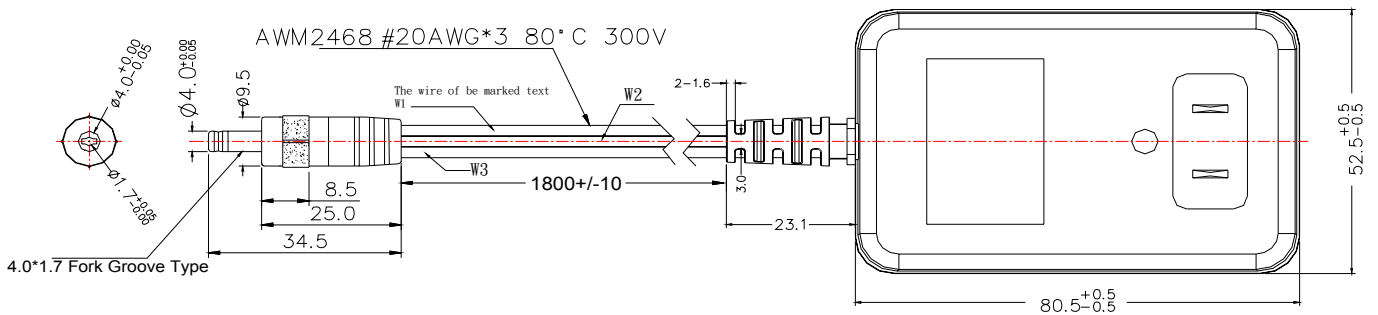


Mechanical Information



Other tolerances: ± 0.2 mm

Be connecting the wire W1 ⊕ — ● — ⊖ W2 and W3 of be marked text.



- Note: 1. All dimensions in mm
2. Detailed mechanical drawing upon request

DataSheet @ Amperor, Inc. @ 2007

The information and specifications contained in this datasheet are believed to be accurate at time of publication. Specifications are subject to change without notice.