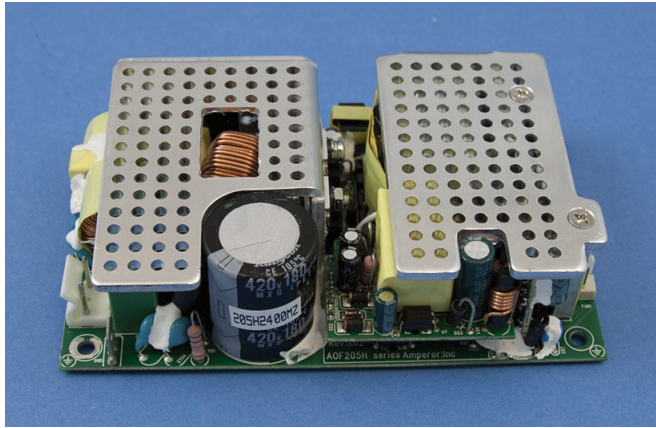


# ANP205H Series

Single Output Channel, 200W  
Open Frame Power Supply



## Features and Applications:

- AC-to-DC Switch Mode Power Supply
- Accept Universal AC Input
- Single Output Channel Options: 12/24/30/36/48V
- Industry Standard 5x3x1.3" Package for 1U Applications
- Other Option Outputs Include: 5Vaux / 12V Fan / Power Good / Remote On-Off
- PFC Circuitry Included (EN61000-3-2)
- Active Current Sharing
- OVP / OCP / OTP / Short Circuit Protection
- CB / cUL / CB Report Available

All specifications are typical at nominal input, full load, at 25°C unless otherwise stated.

### Electrical Specifications

#### INPUT

Input Voltage Range	90 - 264Vac, (Rated 100 - 240Vac)
Input Frequency	47 - 63Hz
Input Current	Max. 5A@100Vac, Full load
Inrush Current	Max. 80A @230Vac Cold Start Max. 40A @ 115Vac, Cold Start
Leakage Current	1.75mA max.
Input Fuse	5A, 250Vac

#### OUTPUT

Min. Load Requirement	0A
Output Regulation	2% Load, 1% Line
Ripple & Noise	1% Vout at 20MHz
Efficiency	See Table 1 @ Page 2
Protection Circuitry	Shutdown & Auto Recovery
Power On Time	< 2 sec.
Power Good Signal	5V +/- 10%
Remote On / Off	Yes, Off when Connected to GND
Optional 12Vfan Output	12V +/- 10%, 0.35mA
Active Current Sharing	Up to 3 Units, with in 10% Max. Load


### Safety Certifications

cUL	UL60950-1: 2003 1st edition
CE	EN55024, EN55022, EN61000

### General Specifications

Warranty Info / MTBF	Contact Amperor for detailed warranty and MTBF information
Dimension	127mm x 76.2mm x 33mm 5" x 3" x 1.3"

### Environmental Specifications

Operating Temp.	-20°C ~ 70°C
Temp. De-rating	50°C to +70°C
Storage Temp.	-40°C to +85°C
Relative Humidity	5% to 95% ( non-Condensing )
Vibration	2.5G rms peak, 5 ~ 500Hz
Altitude	Operating at 10,000ft max. Non-Operating at 50,000ft max.
Cooling	Convection
RoHS	Compliant 

### EMC

Conducted Emissions	EN55022,FCC part 15 level B
Radiated Emissions	EN55022,FCC part 15 level A
Surge Protection	EN61000-4-5, Level 4, Typical
Harmonic Currents	EN61000-3-2, Class D
Dips & Interruptions	EN61000-4-11, Criteria A,B,B
Conducted Immunity	EN61000-4-6, Perf Criteria A
EFT/Burst	EN61000-4-4, Level 3, Criteria B
Voltage Flicker	EN61000-3-3

Amperor Inc.  
11320 Neeshaw Dr.  
Houston, TX 77065  
1-281-807-3320  
<http://www.amperor.com>

Amperor Adelmann GmbH  
Hanns-Martin-Schleyer- Strasse 30,  
47877 Willich, Germany  
+ 49 2154 8168900

Intertek Corp., an Amperor Company  
4th, Fl, Far East World Center  
Xintai 5th Rd., Xizhi Dist.,  
New Taipei City, 22101, Taiwan R.O.C.  
886-2-2698-2239

# AOF205H Series

Single Output Channel, 200W  
Open Frame Power Supply



## Order Information

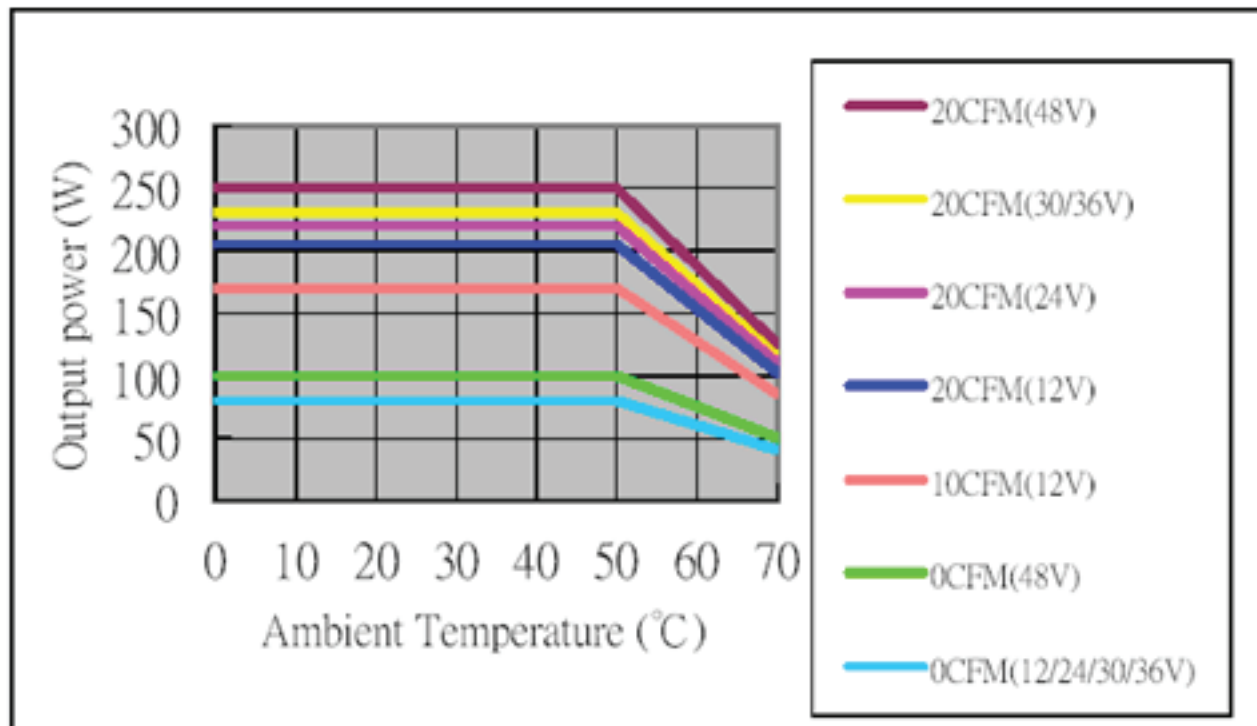
**Table1: AOF205 Model List**

Model	Output Voltage (V)	Max. Output Current (A)	Efficiency (%) (Typical)	Output Voltage Regulation	Ripple & Noise
AOF205H-12(/G) Note 1.	12V	17.0A	82%	+/- 5%	120mV
AOF205H-24(/G)	24V	9.16A	84%	+/- 5%	240mV
AOF205H-30(/G)	30V	7.67A	85%	+/- 5%	300mV
AOF205H-36(/G)	36V	6.39A	86%	+/- 5%	360mV
AOF205H-48(/G)	48V	5.20A	87%	+/- 5%	480mV

### Notes:

1. The /G Option indicates the signal ground is separated from the earth ground.

## Airflow vs. Output Power De-Rating Curve



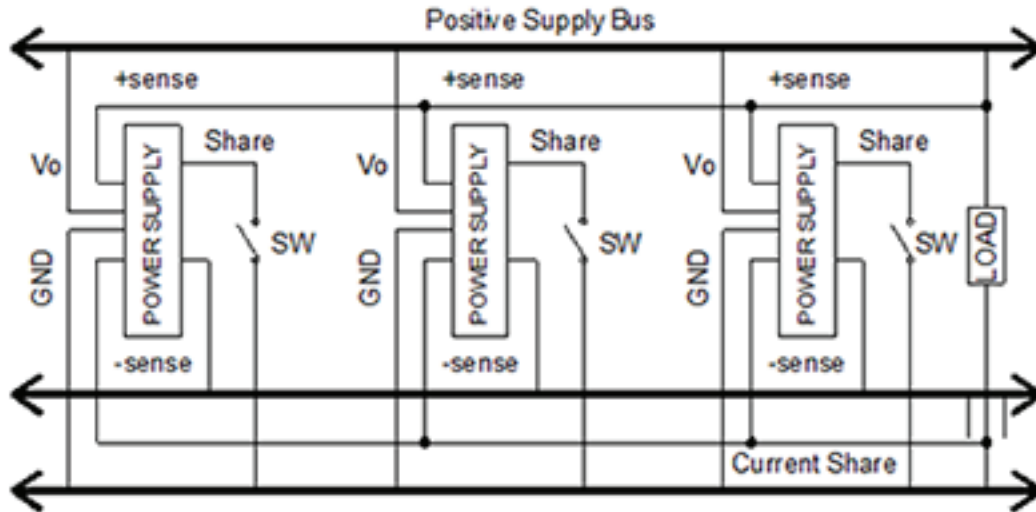
1. AOF205H-12/24/30/36 can output Max. 230W with 20CFM airflow
2. AOF205H-48 can output Max. 250W with 20CFM airflow
3. AOF205H-12 can output Max. 170W with 10CFM airflow

# AOF205H Series

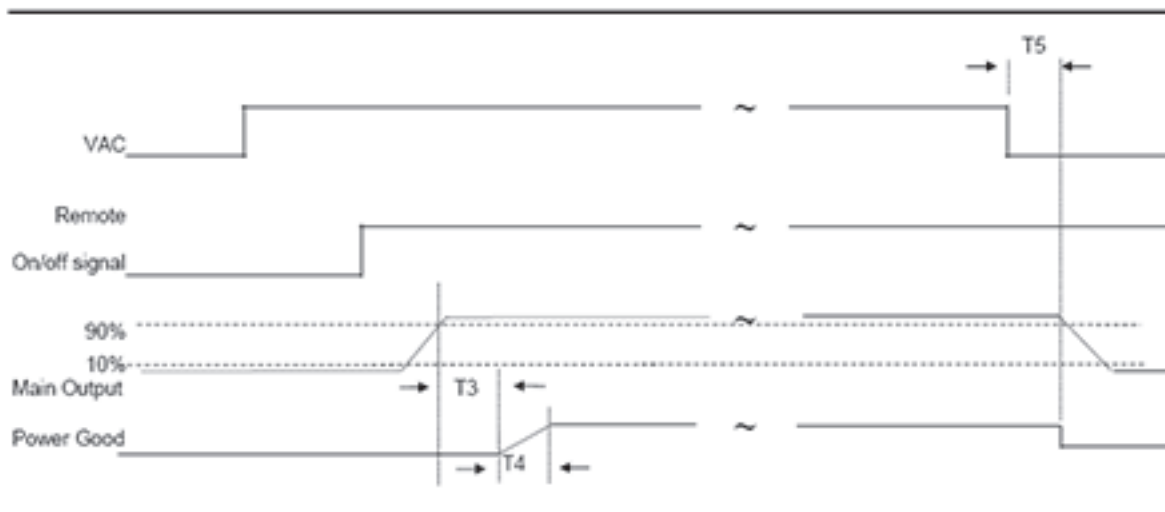
Single Output Channel, 200W  
Open Frame Power Supply



## Active Current Sharing Connection



## Timing / Housekeeping / Control



### Power Good Signal Characteristics

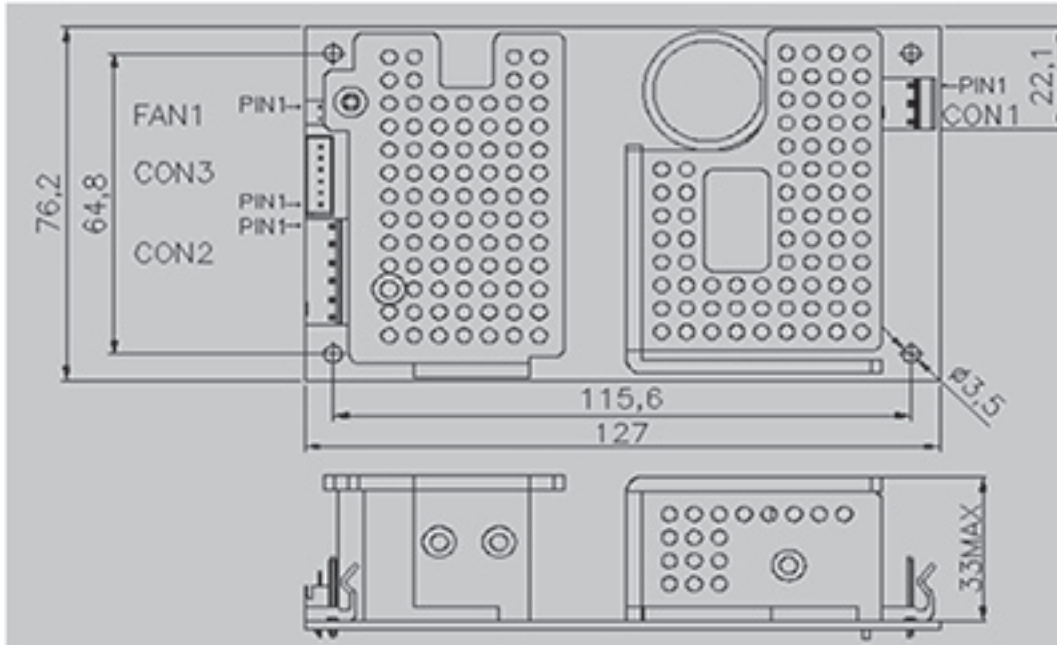
Signal Type	+5V TTL Compatible
Logic Level Low	<0.4V while sinking 4mA
Logic Level High	Between 2.4V and 5V output while sourcing 200uA
Power Good Delay	100Ms < T3 < 500ms
Power Good Rise Time	T4 ≤ 10ms
AC loss to power good hold-up time	T5 ≥ 10ms

# AOF205H Series

Single Output Channel, 200W  
Open Frame Power Supply



## Mechanical Drawing



MOLEX:09-65-2068	
CON2	DC OUTPUT CONNECTOR
PIN 1	+V
PIN 2	+V
PIN 3	+V
PIN 4	RTN
PIN 5	RTN
PIN 6	RTN
FEMALE	Molex 09-50-1061
	Molex 09-52-4064

JST:S 6B-XH-A	
CON3	SIGNAL CONNECTOR
PIN 1	REMOTE ON/OFF
PIN 2	-SENSE
PIN 3	+SENSE
PIN 4	CURRENT SHARE
PIN 5	POWER GOOD
PIN 6	5Vaux
FEMALE	JST XHP-6

MOLEX:09-65-2038	
CON1	AC INPUT CONNECTOR
PIN 1	LINE
PIN 2	NO PIN
PIN 3	NEUTRAL
FEMALE	Molex 09-52-4034
	Molex 09-50-1031

MOLEX:22-04-1021	
FAN1	Fan Power CONNECTOR
PIN 1	+12V
PIN 2	+12V RTN
FEMALE	Molex 22-01-1022
	Molex 51191-0200

KANGYANG:PCRS250-1	
GND	GND TERMINAL
PIN 1	GND
FEMALE	Panduit:DMNF1-63F1B-C
	Panduit:DNFR14-250B-C

All dimensions in mm.. Tolerance: +/- 0.5mm