

# ADP90DCA Series

S g e O A A d a e

## Features and Applications:

- Provides Max. 90W Continuous Output
- Suitable for use in Notebook and Rugged PC Application
- Works Great with the Laptop Auto Mounting Cradle
- Low Output Ripple and Noise
- Over Voltage, Over Current, Over Temperature, Short Circuitry and Reverse Polarity Protection
- Built-in EMI Filter
- cUL Certified
- Output plug adapter is available to make the 5525 version works with HP notebooks that contain the smart pin design

All specifications are typical at nominal input, full load, at 25°C unless otherwise stated.

### Electrical Specifications


#### INPUT

Input Voltage Range	10 ~ 28Vdc
Input Current	max. 11A @10Vdc
Efficiency	84% typ.
Under-Voltage Protection	Triggered between 9 ~ 10Vdc
Reverse Polarity Protection	Protected and not damaged

#### OUTPUT

Maximum Power	90W Continuous
Output Voltage	18.5V
Total Regulation	+/- 4%
Output Current	Max. 4.9A @ 18.5V output
Over Voltage Protection	Yes
Short Circuit Protection	Shutdown and auto-restart
Over Current Protection	8A Max.
Hold-up time	> 5 ms @ Full Load
Start-up time	< 5 sec @ 10 Vdc input


### Safety Certifications

cUL	UL60950: 2000, Third Edition
CE	

### General Specifications

Isolation Voltage	2125Vdc
Switching Frequency	100K Hz
Weight	0.525 Kg (1.157lbs.) max.
Warranty Info	1 year
MTBF	Upon Request

### Environmental Specifications

Operating Temp	5°C to +40°C full load
Storage Temp	-20°C to +85°C
Relative Humidity	5% to 95% ( non-Condensing )
Cooling	Convection
RoHS	Compliant 

### EMC

Conducted Emissions	EN55022,FCC part 15 level B
Radiated Emissions	EN55022,FCC part 15 level B

# ADP90DCA Series

S g e O A A d a e

## Order Information

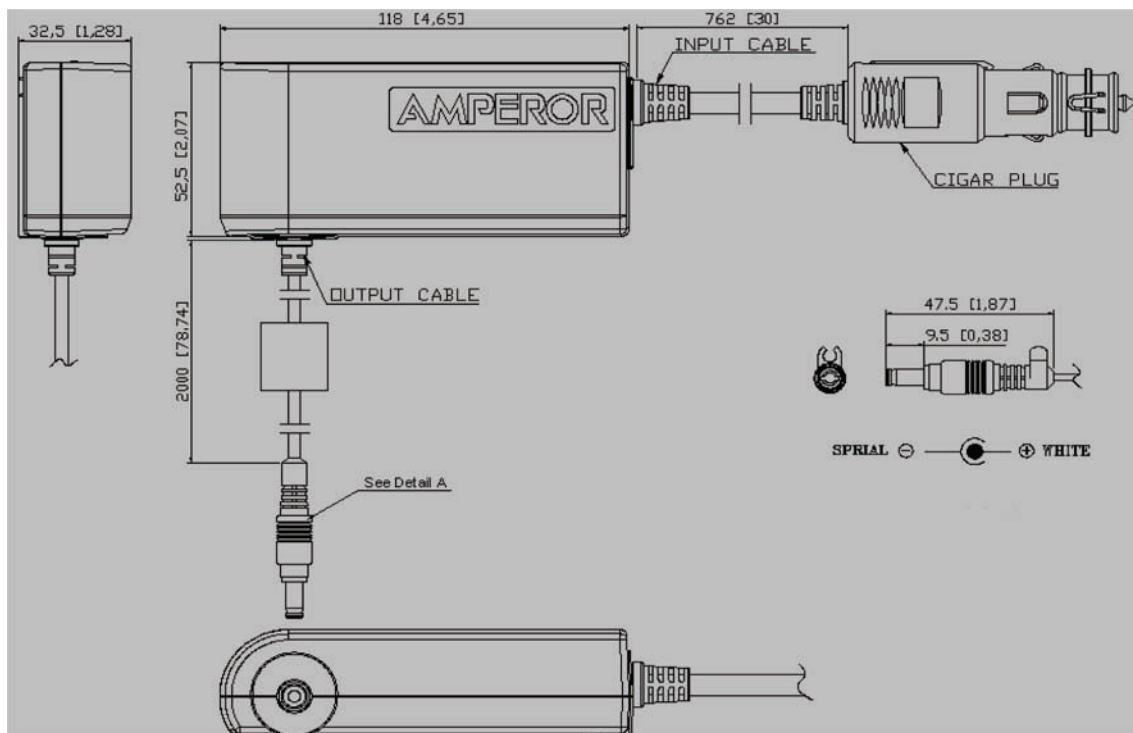
**Table1: ADP90DCA Series Model Output Specifications**

Model	Output Voltage	Max Output Power Watts	Output Plug ID	Output Plug OD
ADP90DCA-5517	+ 18.5V	90W	1.7 mm	5.5 mm
ADP90DCA-5525	+ 18.5V	90W	2.5 mm	5.5 mm
ADP90DCA-5525L	+ 18.5V	90W	2.5 mm	5.5 mm

Note: The “L” in the ADP90DCA-5525L option indicates a different input cable design. Please see page 3 for detailed input cable drawing. The “L” version does not carry UL certification due to the modification on the input cable.

Note: Output plug adapter is available to make the 5525 version work with HP notebooks that contain smart pin design. The compatibility list is available upon request.

## Mechanical Drawing

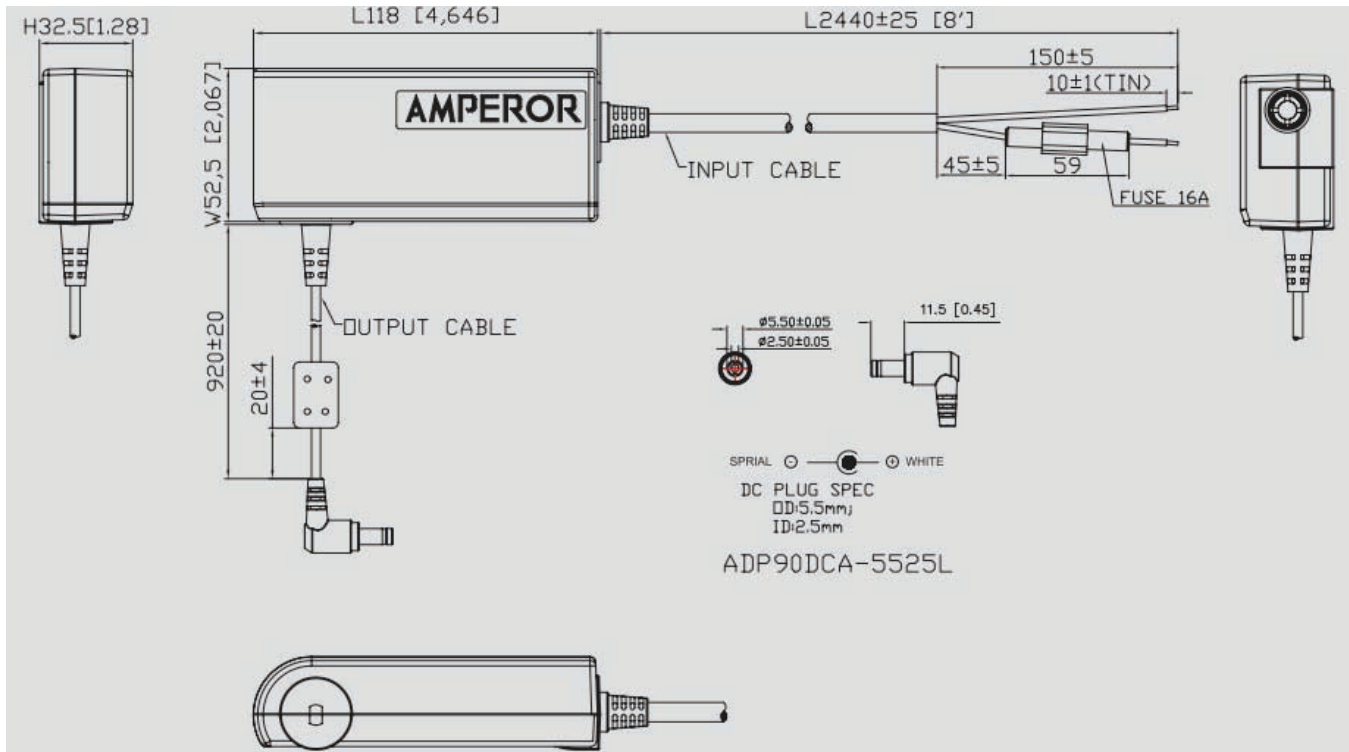


Dimension: mm. (inch.)

# ADP90DCA Series

S g e O A A d a e

## Mechanical Drawing of the ADP90DCA-5525L Option



Dimension: mm. (inch.)

ADP90DCA-5525L Product Picture

**Amperor Inc.**  
11320 Neeshaw Dr.  
Houston, TX 77065  
1-281-807-3320  
<http://www.amperor.com>

**Amperor Europe Ltd..**  
30 Ballot Road  
Irvine KA12 OHW Scotland, UK  
44-(0)-1294-272400  
<http://www.amperor.co.uk>

**Intertek Corp., an Amperor Company**  
4th, Fl, Far East World Center  
Hsin Tai Wu Road, Hsin-Chin  
Taipei, Taiwan R.O.C.  
886-2-2698-2239