

# ADP65AC-12B

Single Output AC Adapter



## Features:

- 60W Max. Continuous Output Power
- Super Mini Footprint (4.24" × 1.85" × 1.22") and Light Weight
- Universal, Full Range, AC Input: 90 ~ 265Vac
- High Efficiency and High Reliability
- Efficiency Level: IV
- Built-in EMC Filter
- CB, TUV, CUL Safety Approvals (A)

All specifications are typical at nominal input, full load at 25 °C unless otherwise stated.

## Electrical Specs

<b>INPUT</b>	
Input Range	90 ~ 265VAC
Frequency	47 ~ 63 Hz
Inrush Current	< 100A peak @ 230 VAC Cold start @ 25°C
Leakage Current	0.25mA @ 230 VAC, 50Hz
<b>OUTPUT</b>	
Output Voltage	DC 12V ±5%
Maximum Power	60W Continuous
Efficiency	85% min.@ full load, 115Vac
No Load Power	<0.5W
Ripple and Noise	Less than 120mv peak to peak @ full load
Hold-up Time	> 5ms @ 115 VAC, Full load
OCP Protection	6A ±0.5A
OVP Protection	125% output Vol. ± 15%
Short Protection	Auto-restart mode
OTP Protection	Ambient 55±5°C at full load

## General

LED	Output state(Light=Power on)
Switching Freq.	45K Hz fixed
Isolation Voltage	3000 VAC
Weight	0.25Kg (0.55 lbs.) max.
MTBF	>150000 Hrs @ 25 °C by MIL-HDBK-217F
Warranty Info	1 year

## Environmental

Operating Temp.	0°C ~ 40°C
Storage Temp.	-20°C ~ 85°C
Temp. Derating	Decrease to 66% load from 40°C to 70°C
Relative Humidity	5% ~ 95% RH Non-condensing
Vibration	1G, 5Hz ~ 50Hz @ three orthogonal axes
Shock	20G peak
RoHS	Compliant

## Safety

cUL CSA C22.2 No. 60950-1-03 1st ED. April 1, 2003  
TUV EN60950-1: 2001 +A11



## EMC

Conducted Emissions FCC Part 15 Level B  
Radiated Emissions C.I.S.P.R Publication 22 Class B

A. We will offer the safety certificate, according to the customer's request.

Amperor Inc.  
11320 Neeshaw Dr.  
Houston, TX 77065  
1-281-807-3320  
<http://www.amperor.com>

Amperor Europe Ltd.  
30 Ballot Road  
Irvine KA12 OHW Scotiand U.K  
44-(0)-1294-272400

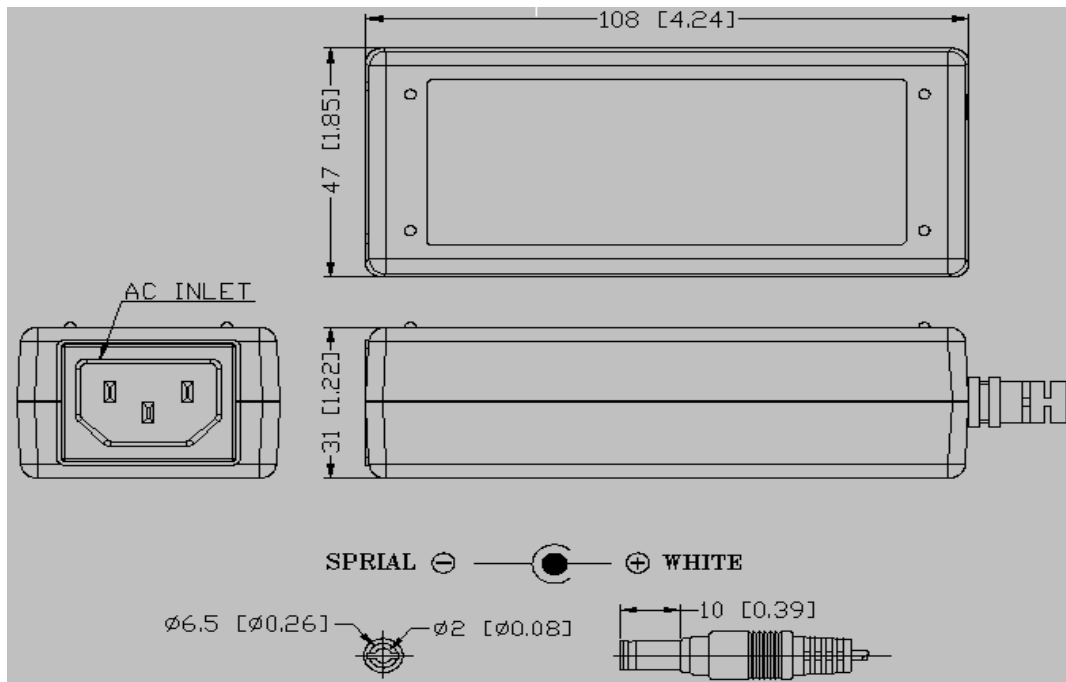
Intertek Corp, an Amperor Company  
4th, Fl, Far East World Centre  
Hsin Tai Wu Road, Hsin-Chih, Taipei, Taiwan R.O.C  
886-2-2698-2239

# ADP65AC-12B

Single Output AC Adapter



## Mechanical Information



- Note: 1. All dimensions in mm(inches)  
2. Detailed mechanical drawing upon request

## De-Rating Curve

Power vs. Ambient Temperature Curve is upon request