

ADP60AC-12LCD

Single Output AC adapter



Features and Applications:

- 60W AC/DC Universal Input Switch Mode Power Supplies
- 4.25" x 2.36" x 1.2" Package Size
- Over Voltage, Over Current and Short Circuit Protection
- High Efficiency and Reliability
- Built-in EMI Filter
- cUL, TUV, CE Safety Approvals (A)

All specifications are typical at nominal input, full load at 25 °C unless otherwise stated.

Electrical Specs

INPUT	
Input Range	90 ~ 264V AC
Frequency Range	47 ~ 63 Hz
Efficiency	80% typical
Input Current	1.8A max. @ 90VAC
Inrush Current	25A max. @ 120VAC, cold start 50A max. @ 230VAC, cold start
Leakage Current	0.25mA @ 120VAC, 60Hz 0.45mA @ 230VAC, 50Hz
OUTPUT	
Output Current	5A maximum 5.5A peak (B)
Load Regulation	12V ±5%
Line Regulation	±1% max.
Ripple & Noise	1% of Vo at 20M Hz
Power On Time	3s max. at turn on
Hold-up Time	> 16ms @ full load, 115V AC
OCP protection	9A maximum
OVP protection	16V max.
Short protection	Cyclic operation

General

Isolation Voltage	3000V AC @ between input and output
Switching Frequency	100K Hz
Weight	0.272 Kg (0.6 lbs.) max.
MTBF	150,000 hours min. @ 25°C, 80% of full load
Warranty Info	1 year

Environmental

Operating Temp.	0°C ~ 40°C
Storage Temp.	-20°C ~ 85°C
Temp. Derating	Decrease to 40% load from 40°C to 70°C
Relative Humidity	5% to 95%, non-condensing
Altitude	Operating 10,000 ft max. Non-operating 50,000 ft max.
Vibration	3.5G rms peak, 5Hz ~ 500Hz
Shock	40G peak
RoHS	Compliant

Safety

cUL UL60950-1: 2003, First Edition



TUV EN60950-1: 2001 +A11



EMC

Conducted Emissions	EN55022, FCC part 15 level B
Radiated Emissions	EN55022, FCC part 15 level B

A. We will offer the safety certificate, according to the customer's request

B. The peak load duration shall be less than 10 seconds with a duty cycle of less than 5%

Amperor Inc.
11320 Neeshaw Dr.,
Houston, TX 77065
1-281-807-3320
<http://www.amperor.com>

Amperor Europe Ltd.
30 Ballot Road
Irvine KA12 OHW Scotland U.K
44-(0)-1294-272400

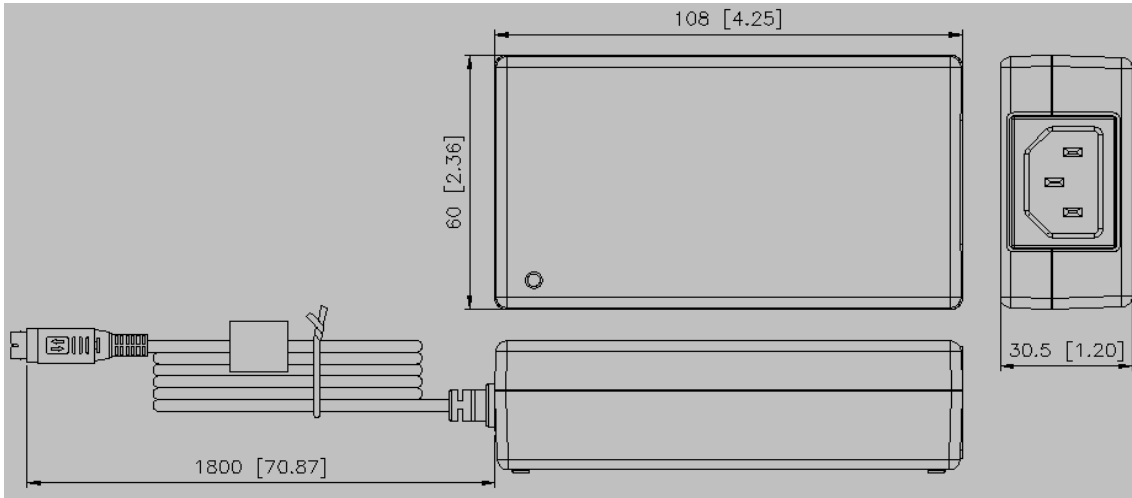
Intertek Corp, an Amperor Company
4th, Fl, Far East World Centre
Hsin Tai Wu Road, Hsin-Chih, Taipei, Taiwan R.O.C
886-2-2698-2239

ADP60AC-12LCD

Single Output AC adapter



Mechanical Information



- Note: 1. All dimensions in mm(inches)
2. Detailed mechanical drawing upon request

De-Rating Curve

Power vs. Ambient Temperature Curve is upon request