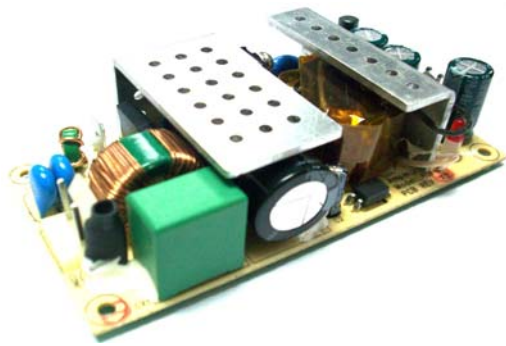


AOF60 Series

Single Output Power Supply



Features and Applications:

- 60W Max With Free Air Cooling
- AC/DC Universal Input Switch Mode Power Supply
- Industry Standard 4.0x2.0x1.2 Inch Package (1U applications)
- Over-Voltage, Short Circuit Protection
- EMI Compliance - EN55022-B, FCC Part 15 Class B
- Safety Approvals - cUL, TUV, NEMKO, CB Report

All specifications are typical at nominal input, full load, at 25 °C unless otherwise stated.

Electrical Specs		General	
INPUT		Isolation Voltage	Input 3000VAC 4242VDC
Input Range	90 ~ 264VAC, full range	Switching Freq.	100KHz, ±5KHz fixed
Frequency Range	47 ~ 63 Hz	Weight	350g(12.35z) max.
Efficiency	See table 1	Warranty Info	1 year
Input Current	2.0A rms @ 100VAC, full load	MTBF	150,000 hours min. @25C, 80% load
Inrush Current	50A max. @ 115VAC, cold start 100A max. @ 230VAC, cold start	Environmental	
Leakage Current	2.0 mA max	Operating Temp.	-40°C to 75°C
Input Fuse	3.15A, 250VAC	Storage Temp.	-40°C to 85°C
OUTPUT		Relative Humidity	5% to 95% Non-condensing
Maximum Power	60W continuous, see table 1	Altitude	Operating 10,000 ft max. Non-operating 50,000 ft max.
Minimum Load Operation	0A	Vibration	2.4G rms peak, 5Hz ~ 500Hz
Load Regulation	±2%	Shock	40G peak
Line Regulation	±1% max.	RoHS	Compliant
Ripple & Noise	1% of Vo at 20M Hz	EMC	
Power On Time	2s max. at turn on	Conducted Emissions	EN55022, FCC part 15 level B
Hold-up Time	> 10ms@ full load, 115AC	Radiated Emissions	EN55022, FCC part 15 level A
OVP Protection	150%	Voltage Flicker	EN61000-3-3
Short Circuit Protection	Automatic restart	Dips & Interruptions	EN61000-4-11, 30% 10 ms, 60% 100 ms, 100% 5000 ms Perf Criteria A, B, B
Temperature Derating	+50 °C ~ +75 °C decrease 2.5% / °C with 0 CFM decrease 0.5% / °C with 10 CFM See table 2	Conducted Immunity	EN61000-4-6, 10 Vrms, Perf Criteria A
Safety		EFT/Burst	EN61000-4-4, level 3 Perf Criteria B
cUL	UL60950-1: 2003, First Edition		
N	EN60950-1		
TUV	EN60950-1		

Amperor Inc.
11320 Neeshaw Dr.,
Houston, TX 77065
1-281-807-3320
<http://www.amperor.com>

Amperor Europe Ltd.
30 Ballot Road
Irvine KA12 OHW Scotland U.K
44-(0)-1294-272400

Intertek Corp, an Amperor Company
4th, Fl, Far East World Centre
Hsin Tai Wu Road, Hsin-Chih, Taipei, Taiwan R.O.C
886-2-2698-2239

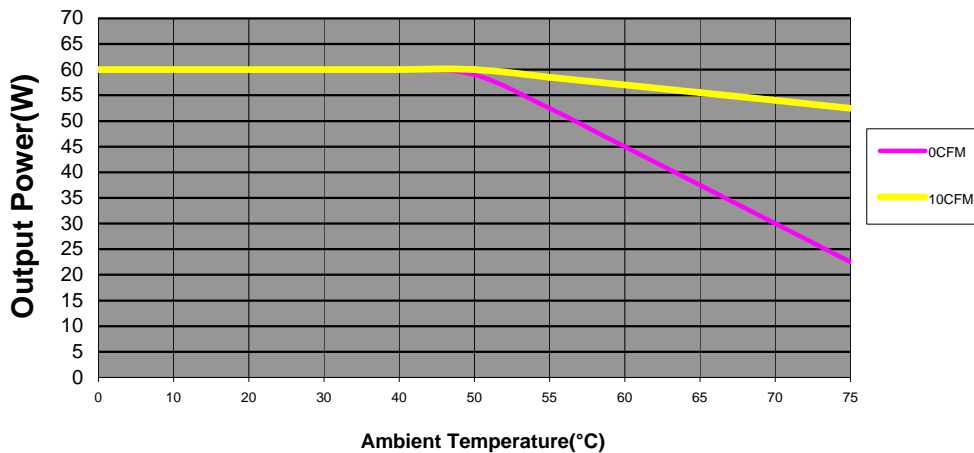
AOF60 Series

Single Output Power Supply

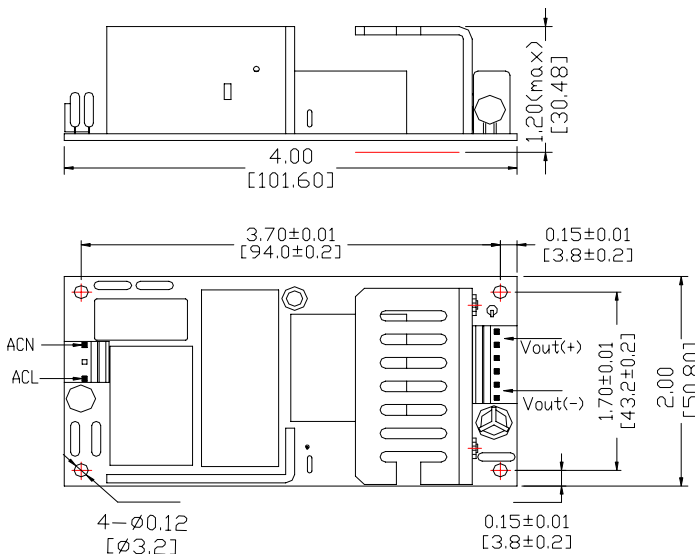


Table1 AOF60 Series Model Output Specifications(230V)						
MODEL	OUTPUT VOLTAGE	OUTPUT CURRENT Max	%EFF. TYPICAL	RIPPLE & NOISE	LOAD REGULATION	OUTPUT VOLTAGE RANGE
AOF60-033	+3.3V	12A	87	50mv	±2%	±5%
AOF60-05	+5V	12A	87	50mV	±2%	±5%
AOF60-09	+9V	6.67A	87	90mV	±2%	±5%
AOF60-12	+12V	5A	87	120mV	±2%	±5%
AOF60-15	+15V	4A	87	150mV	±2%	±5%
AOF60-24	+24V	2.5A	88	240mv	±2%	±5%
AOF60-30	+30V	2A	88	300mv	±2%	±5%
AOF60-36	+36V	1.67A	88	360mv	±2%	±5%
AOF60-48	+48V	1.25A	88	480mv	±2%	±5%

Table 2 Derating Curve



Mechanical Information



- Notes:
- 1.All dimensions in unit inches[mm].
 - 2.∅ other tolerance: ±0.02[±0.5]
 - 3.Detailed mechanical drawing upon request.
 - 4.Curstrmer can select the four assembly holes of PCB with 0.12" or 0.145" or 0.16" .