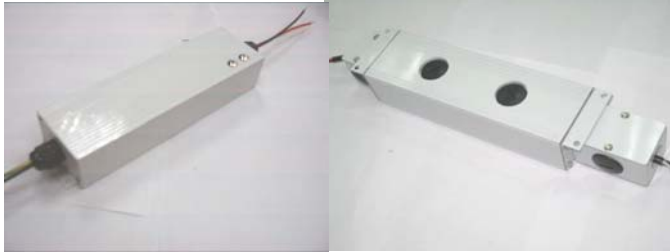


ANP90-XXP1&XXP1Y

Class II Single LED Power Supply



Features and Applications:

- One Single Class II DC Output
- Highly Efficient Switching-Mode Technology
- Active PFC (Power Factor Corrected)
- Built for Outdoor Wet/Damp or Indoor Dry Applications
- Silicone Encapsulated for Wet Locations(Use Water-Tight Fittings)
- Built-in EMI Filter for Low Noise
- Rugged & Splash Proof Aluminum Case for Ingress Protection
- Over-Current and Over-Voltage Protection with Auto-Recovery

All specifications are typical at nominal input, full load, at 25 °C unless otherwise stated.

Electrical Specs

INPUT

Input Voltage Range	90 - 264Vac
Rating Input Voltage Range	100 - 240Vac
Frequency	47 - 63Hz
Input Current	Max. 1.4A @ 115Vac / 60Hz, full load
Inrush Current	60A @ 230Vac input/ 60Hz, full load
Efficiency	≥85% @ full load, input 230Vac
Power Factor	≥0.95 at full load 115Vac

OUTPUT

Leakage Current	0.2mA @110Vac, 0.4mA @230Vac
Short Circuit Protection	Shutdown and auto recovery
Ripple and Noise	<1% of Voutput
Over Temperature Protection	85°C±5°C ambient temperature
Over Voltage Protection	< 130% nominal voltage
Start-up Time	< 2 Sec.

General

Isolation Voltage	3000V AC
Switching Frequency	75K Hz
Weight	1.3 Kg (2.86lbs.) max.
Warranty Info	3 year
MTBF	100,000 Hours at 25° C

Environmental

Operating Temp	-30°C to +70°C full load
Derating Temp	+80°C at 50% load
Storage Temp	-40°C to +85°C
Relative Humidity	5% to 95% non-condensing
Cooling	Convection
MTBF	100,000 Hrs at 25°C

RoHS Compliant



Safety

TUV	EN60950-1, IP65
UL	UL60950-1, UL1310(Wet) UL879: Eighth Edition, 2007
CE	CE



EMC

Conducted Emissions	EN55022, FCC part 15 level B
Radiated Emissions	EN55022, FCC part 15 level B

Amperor Inc.
11320 Neeshaw Dr.,
Houston, TX 77065
1-281-807-3320
<http://www.amperor.com>

Amperor Europe Ltd.
30 Ballot Road
Irvine KA12 OHW Scotland U.K
44-(0)-1294-272400

Intertek Corp, an Amperor Company
4th, Fl, Far East World Centre
Hsin Tai Wu Road, Hsin-Chih, Taipei, Taiwan R.O.C
886-2-2698-2239

ANP90-XXP1&XXP1Y

Class II Single LED Power Supply



Order Information

Table1: ANP90-XXP1 & XXP1Y Model Output Specifications

Model	Output Voltage	# of Channels	Load current(A)	OCB Trip Setting	Max. Output Power
ANP90-24P1	23V	1	4.2	4.3A	97W
ANP90-24P1Y	23V	1	4.2	4.3A	97W
ANP90-24P1 opt 277V	24V	1	4	4.2A	96W
ANP90-24P1Y opt 277V	24V	1	4	4.2A	96W
ANP90-30P1	30V	1	3.2	3.4A	96W
ANP90-30P1Y	30V	1	3.2	3.4A	96W

Note 1: The DC output channel will automatically shut down and auto-recover after an over-current limit (OCP) trip event.

Other Description

1. The differences between ANP90-XXP1 & ANP90-XXP1Y are chambers and label.
2. Input Voltage Range 90 - 277Vac only for ANP90-24P1&P1Y opt 277V.
3. Input Voltage Rating 120 - 250Vac only for ANP90-24P1&P1Y opt 277V.

Amperor Inc.
11320 Neeshaw Dr.,
Houston, TX 77065
1-281-807-3320
<http://www.amperor.com>

Amperor Europe Ltd.
30 Ballot Road
Irvine KA12 0HW Scotland U.K
44-(0)-1294-272400

Intertek Corp, an Amperor Company
4th, Fl, Far East World Centre
Hsin Tai Wu Road, Hsin-Chih, Taipei, Taiwan R.O.C
886-2-2698-2239

ANP90-XXP1&XXP1Y

Class II Single LED Power Supply



Mechanical Information

Model: ANP90-XXP1

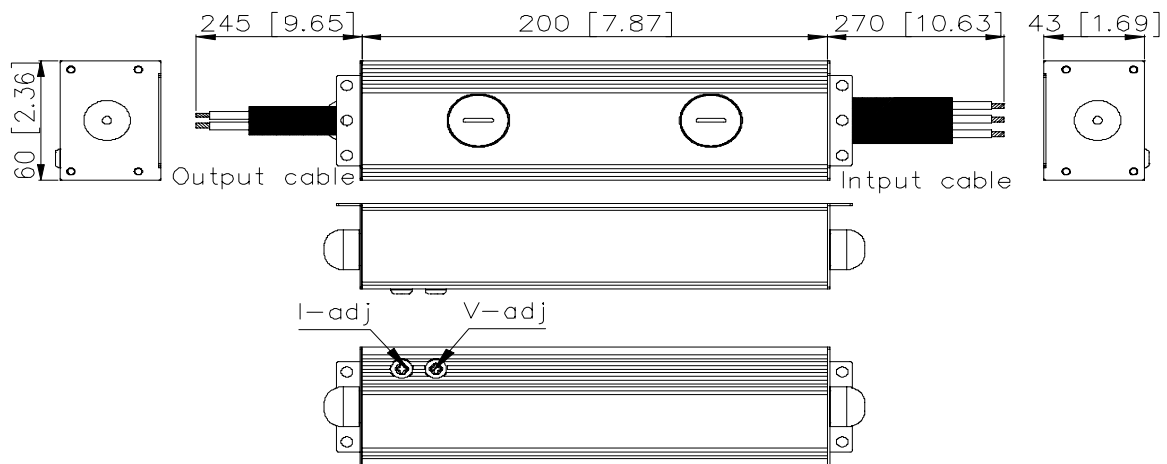
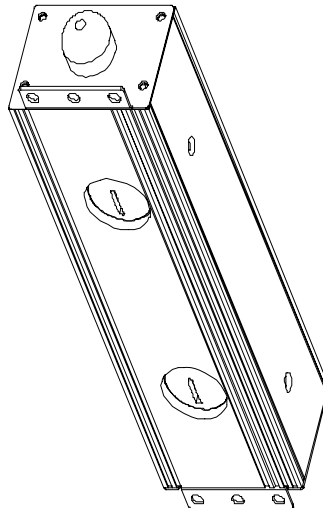


Figure:



Note: All dimensions in mm(inches)

ANP90-XXP1&XXP1Y

Class II Single LED Power Supply



Mechanical Information

Model: ANP90-XXP1Y

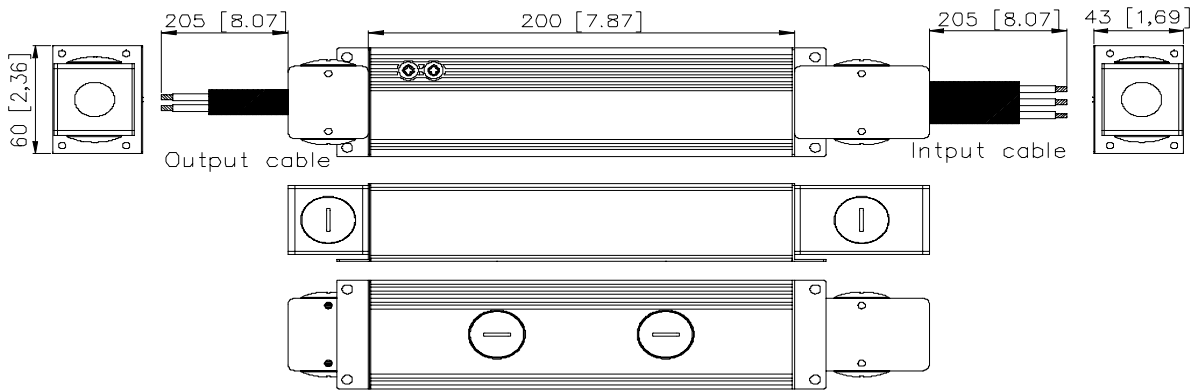
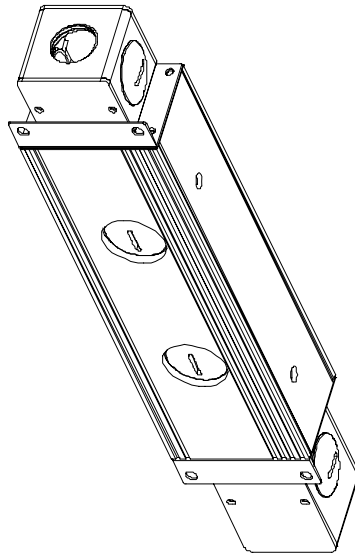


Figure:



Note: All dimensions in mm(inches)

Data Sheet @ Amperor, Inc. @ 2008

The information and specifications contained in this data sheet are believed to be accurate at time of publication. Specifications are subject to change without notice.

Rev: 04