

ANP90-12PZ

Class 2 Single Channel LED Power Supply
with AC Input Wiring Chamber Installed



AmperorTM
power by design

Features and Applications:

- One Single Class 2 DC Output
- Highly Efficient Switching-Mode Technology
- Active PFC (Power Factor Corrected)
- Built For Outdoor Wet, Damp or Indoor Dry Applications
- Silicone Encapsulated For Wet Locations
(Use UV approved Water-Tight Conduit and Fittings)
- Built-in EMI Filter For Low Noise
- Rugged Rain-Proof Aluminum Extruded Case - IP65 Rated
- Over-Current and Over-Voltage Protection With Auto-Recovery
- Adjustable Output Voltage / Current

All specifications are typical at nominal input, full load, at 25°C unless otherwise stated.

Electrical Specifications

INPUT

Input Voltage Range	90 - 277Vac
Frequency	47 - 63Hz
Input Current	max. 1.4A@115Vac/60Hz,full load
Inrush Current	60A @230Vac input/60Hz,full load
Efficiency	≥85% typ.@full load, input 230Vac
Power Factor	≥0.95 at full load 115Vac

OUTPUT

Output Voltage Adjustment	-20% ~ +10%
Leakage Current	0.2mA @110Vac,0.4mA @230Vac
Low Ripple & Noise Voltage	< 1% V output
Over Voltage Protection	<130% nominal voltage
Short Circuit Protection	Shutdown & Auto Recovery.
OTP Protection	85°C ± 5°C @ Ambient Temp.
Start-up time	< 2 sec.

Safety Certifications


UL UL8750, UL935



General Specifications

Isolation Voltage	3000V AC
Switching Frequency	75K Hz
Weight	1.3 Kg (2.86lbs.) max.
Warranty Info	3 year
MTBF	> 100,000 Hours at 25° C
Robust Design	Guaranteed Full Load at 70° C Derate to 50% at 80° C UL Class II Wet Location

Environmental Specifications

Operating Temp.	-30°C to +70°C full load
Derating Temp.	50% at +80°C
Storage Temp.	-40°C to +85°C
Relative Humidity	5% to 95% (non-Condensing)
Enclosure	Outside case sealed per IP65
Cooling	Convection
RoHS	Compliant 

EMC

Conducted Emissions	EN55022,FCC part 15 level B
Radiated Emissions	EN55022,FCC part 15 level B

Amperor Inc.
11320 Neeshaw Dr.
Houston, TX 77065
1-281-807-3320
<http://www.amperor.com>

Amperor & Associates
Unit 5, Kyle Business Park, Cunninghame Rd
Irvine, Ayrshire KA12 8JJ, UK
44-(0)-1294-276096
<http://www.amperorassociates.co.uk>

Intertek Corp., an Amperor Company
4th, Fl, Far East World Center
Xintai 5th Rd., Xizhi Dist.,
New Taipei City, 22101, Taiwan R.O.C.
886-2-2698-2239

ANP90-12PZ

Class 2 Single Channel LED Power Supply
with AC Input Wiring Chamber Installed



Order Information

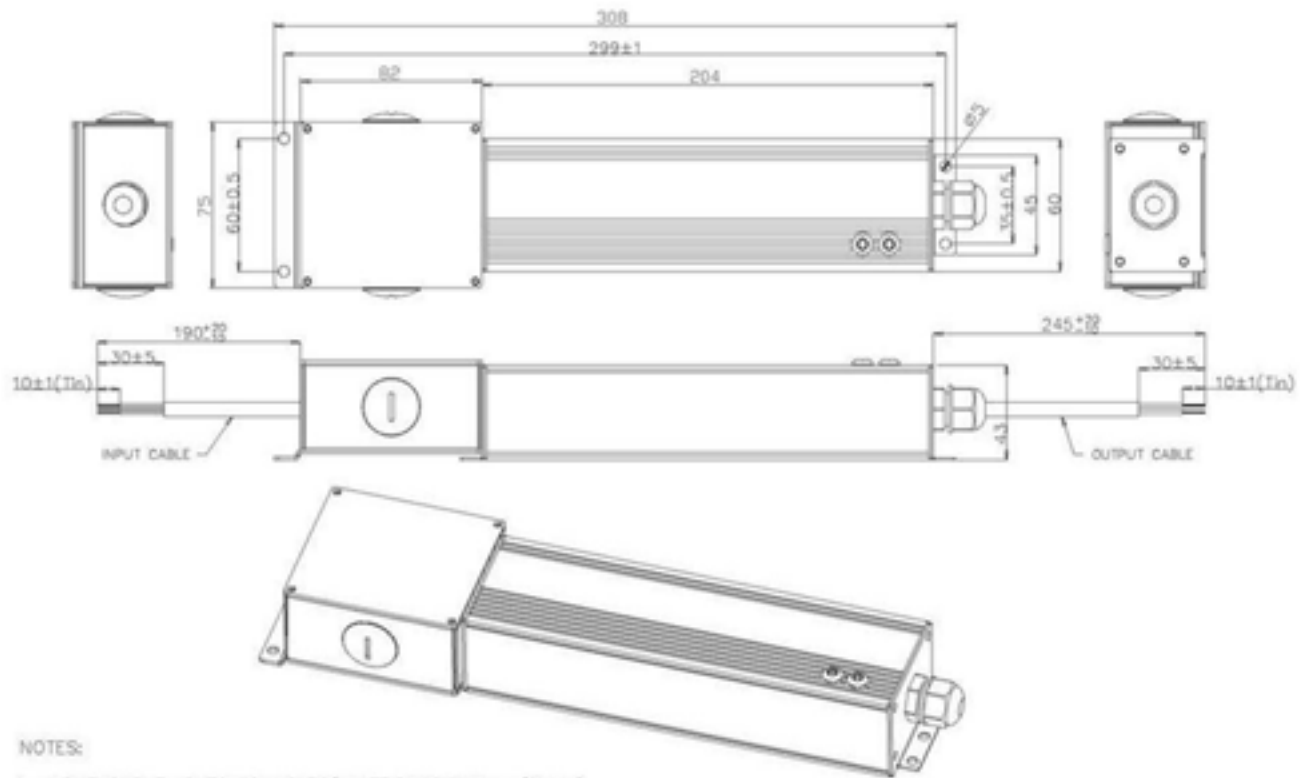
Table1: Model vs. Output Specifications

Model	Output Voltage	# of Channels	Voltage Adjustment on-board Pot	Current Adjustment on-board Pot	OCP Trip Point	Max. Output Power Watts
ANP90-12PZ	+ 12V	1	-20 / +10 %	-70 / +0 %	5A	60W

Notes:

1. The DC output channel will automatically shut down and auto-recover after an over-current limit (OCP) trip event.

Mechanical Information



NOTES:

1. INPUT CABLE: PLTC 18AWG*3C(WHITE,BLACK, Yellow/Green)
COLOR BLACK OD: 6.2mm
2. OUTPUT CABLE: PLTC 18AWG*2C(RED,BLACK)
COLOR BLACK OD: 6.1mm