

ANP105-24P1-277-XX-YY-P

24V, 0-10V Dimmable, Class 2, Class P
UL Listed LED Driver



Features and Applications:

- One 24V, Class 2 DC Output
- Options for 100W / 75W / 60W / 40W / 25W Output
- Active Power Factor Correction
- Electronic Components Reside in an IP65+ Junction Box
- Offering True UL Wet Location Design
- Built-in EMI Filter For Low Noise
- Over-Current and Over-Voltage Protection with Auto-Recovery
- 0-10V Control Dimmable Output
- Wiring Terminals Built inside the Junction Box
- for Easy Installation

All specifications are typical at nominal input, full load, at 25°C unless otherwise stated.

Electrical Specifications

INPUT

Input Voltage Range	90-305Vac (Rated 100-277Vac)
Input Frequency	47 - 63Hz
Input Current	max. 1.5A@115Vac/60Hz,full load
Inrush Current	80A @230Vac/60Hz,full load cold start
Leakage Current	0.5mA max.
Power Factor	≥0.9 at full load, entire input range
THD	<20% @ 80% load, 277Vac

OUTPUT

Output Regulation	24V +/- 5%
Efficiency	89%
Over Voltage Protection	<130% nominal voltage
Short Circuit Protection	Shutdown & Auto Recovery
OTP Protection	2-Stage Protection
Start-up Time	< 3 sec.
Dimming Control	0 - 10Vdc (10V for max. output)

Safety Certifications

UL UL8750, UL1310 (Class 2), Class P
E File#: E495587



General Specifications

Weight	TBD
Warranty Info / MTBF	Contact Amperor for detailed warranty and MTBF information
Dimension	290.2mm x 111.2mm x 50mm 111.43" x 4.38" x 1.97"

Environmental Specifications

Operating Temp.	-30°C ~ 55°C@ Tambient
2 Stage Thermal Protection	Output Drops to 50%@Tcase 85C (The Tcase is measured at the surface of the driver installed inside the J-Box) but not on the junction box.) Output Shutdown @ Tcase 95C (Tcase is indicated on the driver, but not on the junction box.)
Storage Temp.	-40°C to +85°C
Relative Humidity	10% to 95% (non-Condensing)
Enclosure Sealed per	IP65+
Cooling	Conduction
RoHS	Compliant



EMC / Safety

Conducted Emissions	EN55015,FCC part 15 level B
Radiated Emissions	EN55015,FCC part 15 level B
Surge	EN61000-4-5, Level 4, Criteria B (L&N/PE: 4KV, L/N: 2KV)

Amperor Inc.
11320 Neeshaw Dr.
Houston, TX 77065
1-281-807-3320
http://www.amperor.com

Amperor Adelmann GmbH
Hanns-Martin-Schleyer- Strasse 30,
47877 Willich, Germany
+ 49 2154 8168900

Intertek Corp., an Amperor Company
4th, Fl, Far East World Center
Xintai 5th Rd., Xizhi Dist.,
New Taipei City, 22101, Taiwan R.O.C.
886-2-2698-2239

ANP105-24P1-277-XXX-YY-P

24V, 0-10V Dimmable, Class 2
UL Listed LED Driver



Order Information

Table1: ANP105-24P1-277-XXX-YY-P Model vs. Output Specifications

Model	Rated Output Current (A)	Output Voltage Range (V)	Max. Output Power (W)	Min. Efficiency (115Vac input 100% load)
ANP105-24P1-277-100-YY-P	4.16	15 ~ 24	100	89.00%
ANP105-24P1-277-075-YY-P	3.2	15 ~ 24	75	89.00%
ANP105-24P1-277-060-YY-P	2.5	15 ~ 24	60	88.00%
ANP105-24P1-277-040-YY-P	1.67	15 ~ 24	40	88.00%
ANP105-24P1-277-025-YY-P	1.04	15 ~ 24	25	88.00%

Notes:

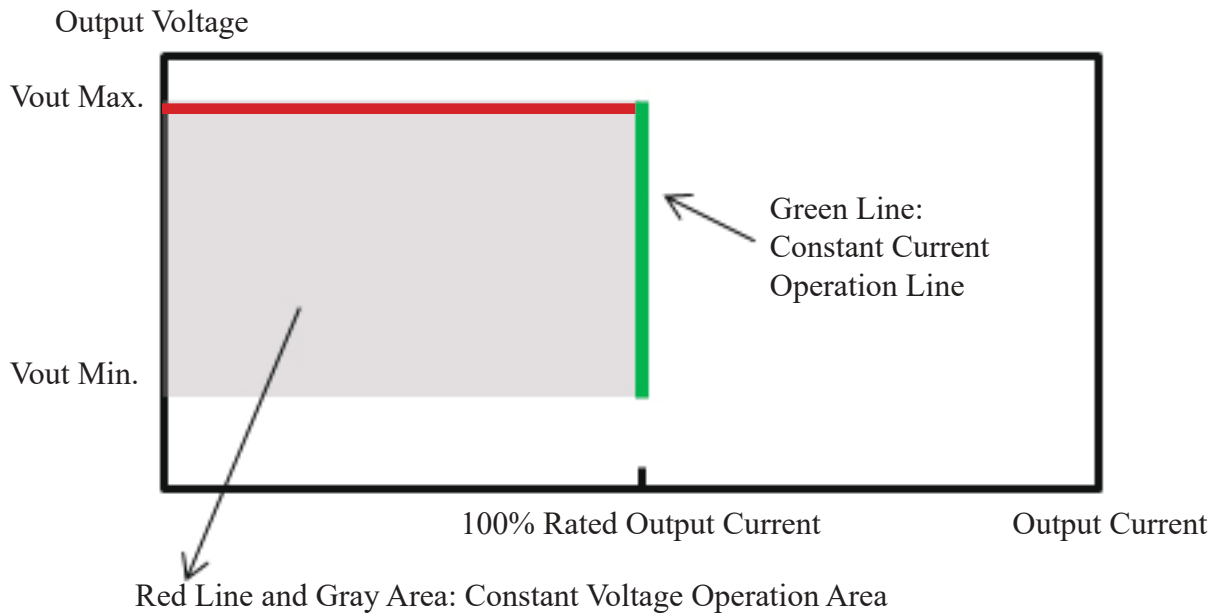
ANP105-24P1-277-100-VD-P can output 24V in no load condition. However, the Efficiency and the power factor will not meet the specifications when the load is under 50%.

YY in the model name can be replaced by **VD** or **CD**.

VD indicates the dimming function is built for the constant voltage mode LEDs

CD indicates the dimming function is built for the constant current mode LEDs

Constant Current / Constant Voltage Operation



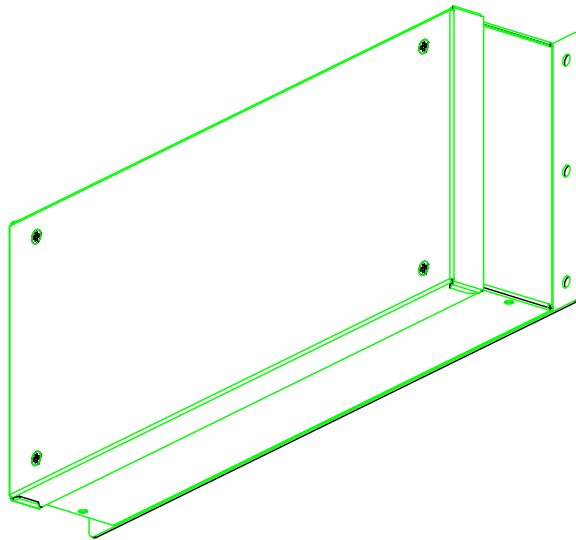
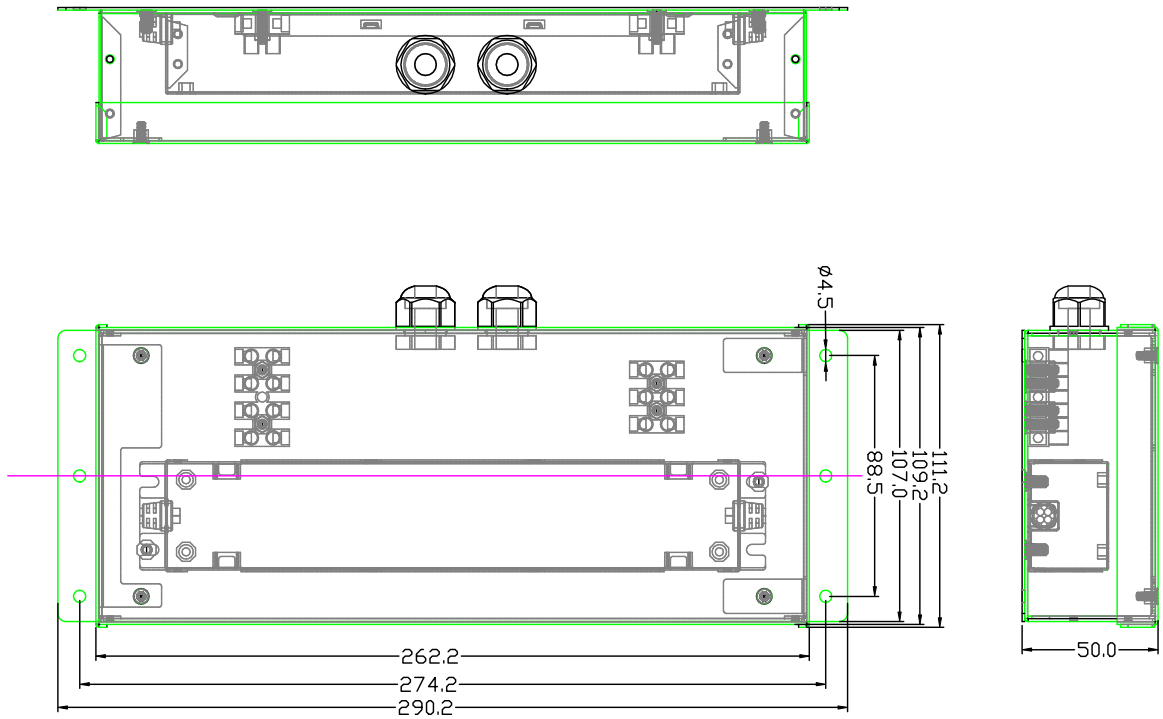
1. If the current draw from the load is equal to the rated output current of the driver, the driver will operate in CC mode. (on the **Green Line** above)
2. If the current draw from the load is less than the rated output current of the driver, the driver will operate in CV mode. When working with the CV mode LED light tube / module / strip, the driver operates on the **Red Line** above. Please contact Amperor for detailed explanation.

ANP105-24P1-277-XXX-YY-P

24V, 0-10V Dimmable, Class 2
UL Listed LED Driver



Mechanical Drawing



Unit: mm
All tolerance: +/- 0.5mm

Amperor Inc.
11320 Neeshaw Dr.
Houston, TX 77065
1-281-807-3320
<http://www.amperor.com>

Amperor Adelmann GmbH
Hanns-Martin-Schleyer- Strasse 30,
47877 Willich, Germany
+ 49 2154 8168900

Intertek Corp., an Amperor Company
4th, Fl, Far East World Center
Xintai 5th Rd., Xizhi Dist.,
New Taipei City, 22101, Taiwan R.O.C.
886-2-2698-2239